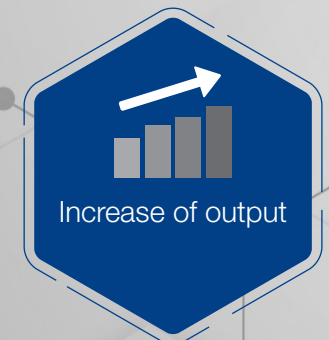


Simulation of the
Bending Process with
Collision Control
and Cycle Time
Determination



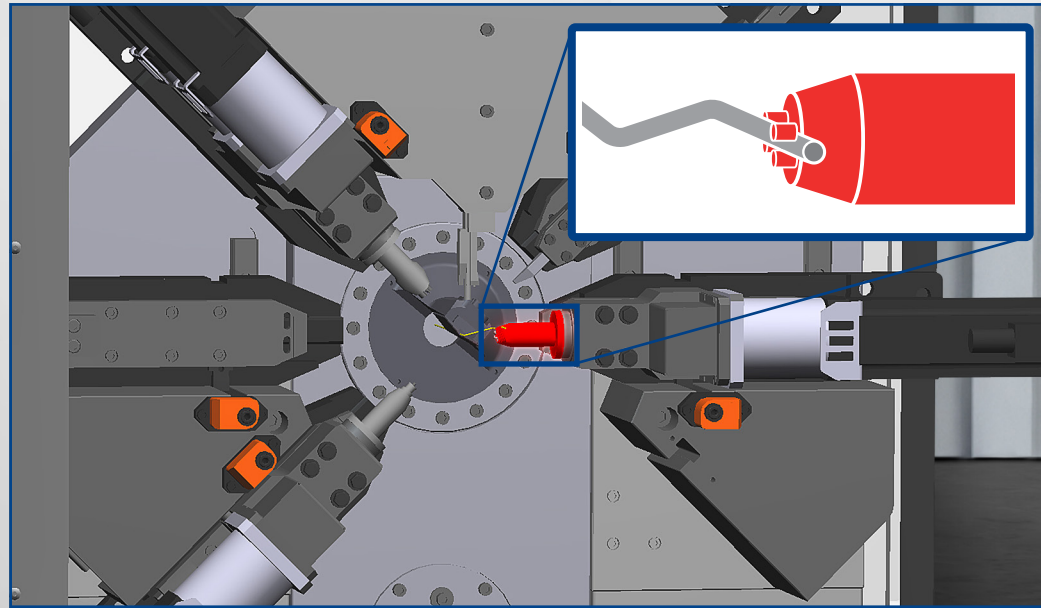
for
torsion spring machines



Situation

- When setting up torsion springs, the operator has to test the production process slowly several times in order to make sure that the wire does not collide with the tool
- At the same time, however, the set-up process ought to be as fast as possible to minimize downtimes

Solution



- *iQspring* enables a graphical collision control and the determination of the cycle time for the set-up part
- Downtimes are reduced and production planning is facilitated
- FMK machines also offer the possibility to calculate the ideal tool arrangement and thus increase the output by up to 20%

Requirements

- Geometrical programming