

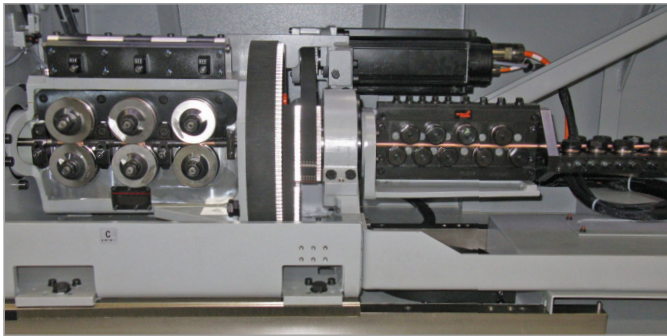
CNC Coiling and Bending Machines for Processing Tube from a Coil



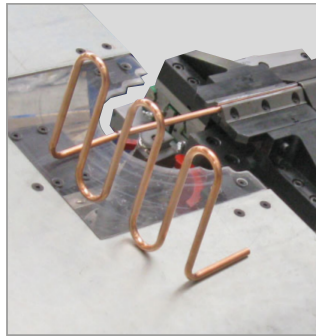
BM 50 R

BM 50 R

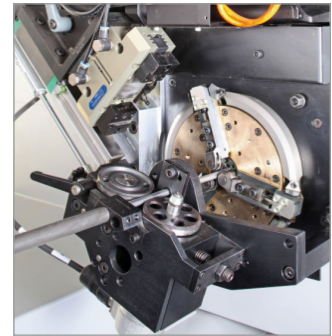
▼ Rotating feed unit with straightening unit (BM 40R)



▼ Bending head with table



▼ Roll-cutting unit with length measuring wheel



Our Accomplishments for your Benefit

- New, patented bending technique with eccentric clamping
- Follow bars for left-/right-hand bending
- 3D shapes can be produced
- Reliable cutting systems (chipless)
- Reliable WAFIOS Programming System WPS 3.2 EasyWay

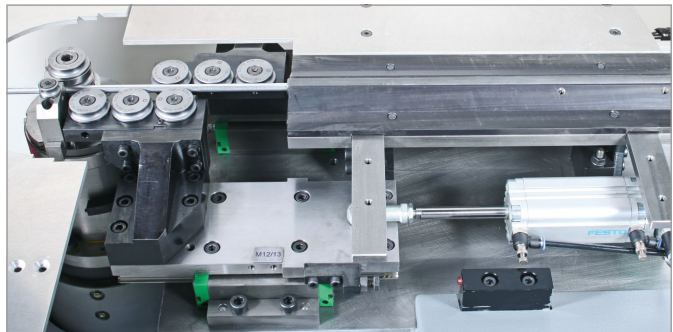
Design Features

- Bending machine is available in two sizes
- Basic machine with nine CNC axes
- Robust feed unit for advancing and rotating the tube
- Multi-range roller straightener
- Manually displaceable bend-back clearance
- Servomotor-driven roll-cutting equipment for chipless cutting-off of tubes
- Versatile bending head with large bending clearance
- Flexible application possibilities by infinitely rotating bending and mandrel axes as well as large transverse and up/down strokes

Operation

- High-capacity machine control WAFIOS WPS 3.2 EasyWay with plain-language programming of lengths, angles and coordinates, linking of all machine components, graphical user interface
- Control panel carriage with high-definition 24-inch monitor with touchscreen and hand-held operating device
- Reduced set-up times due to ergonomic access to all tool positions as well as simple and fast programming of tools and parameters
- *iQ* Functions - Enhanced efficiency through intelligent process control

▼ Moving follow bars for left-/right-hand bending available as an option



Unique, Efficient and Profitable – WAFIOS CNC Tube Coiling and Bending Machines for Processing Tube from a Coil

Trend-Setting Machine Concept

The BM tube series sets new standards for processing tube material from the coil. Our new patented bending tools enable the bending of geometries that were not producible before. Even spirals with a defined pitch can be bent without any problems.

The BM tube series has a standard pay-off unit AHP 2 as a tube version with pneumatically pre-tensioned dancer roll.



▲ Coiling unit with variable pitch unit

Quality

For more than 125 years, the name of WAFIOS has been synonymous with highest quality, safety standards, and technical innovations in the German machine manufacturing industry.

Reliability

Strict quality controls, state-of-the-art production systems, and many years of experience guarantee that your investment is safe in our hands. Our global service network ensures high availability of WAFIOS machinery.

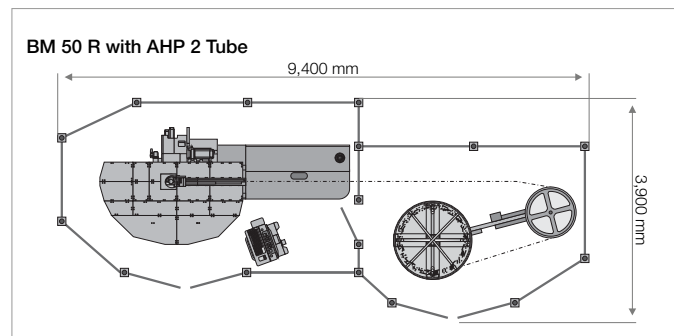
Cost efficiency

High production output and a long service life will save money and shorten the amortization time of your investment.

▼ Pay-off unit AHP 2 as tube version



Technische Daten		BM 50 R
Operating range	600 N/mm ²	12.0 × 1.0 mm
Feed rollers		4 Pairs
Rotary angle, mandrel axis		Infinite
Angle of rotation of bending axis		Infinite
Bending head, up/down stroke		+25 mm / -120 mm
Bending head transverse stroke		+200 mm / -100 mm
Number of bending levels max.		3
Bend-back clearance		720 mm
Bending head positioning		+30° fix
CNC support plate, stroke (option)		+25 mm / -235 mm
Feed speed		max. 120 m/min
Bending moment, tool holding fixture		ca. 1,050 Nm
Number of CNC axes		9 (max. 14 as an option)



WAFIOS AG

Silberburgstraße 5
 72764 Reutlingen, Germany
 Phone +49 7121 146-0
 Fax +49 7121 146-250
 sales@wafios.de
 www.wafios.com

Precision Machinery for Wire and Tube