

# HEAVY-DUTY TRANSPORT VEHICLES

**INDIVIDUAL  
TRANSPORT  
SOLUTIONS**



LOAD CAPACITIES OF UP TO 350 TONS

[www.hubtex.com](http://www.hubtex.com)

**HUBTEX.**

WE CREATE THE UNIQUE

# INDIVIDUAL, POWERFUL AND HEAVY-DUTY

Transporting heavy loads poses a significant challenge – one that we, as a specialist supplier with extensive experience and numerous application references, are more than happy to face head-on. In the face of ever increasing load weights and the rapid advancement of automation, development is in constant flux – making it all the more important for both customers and manufacturers to keep up to date at all times.

---

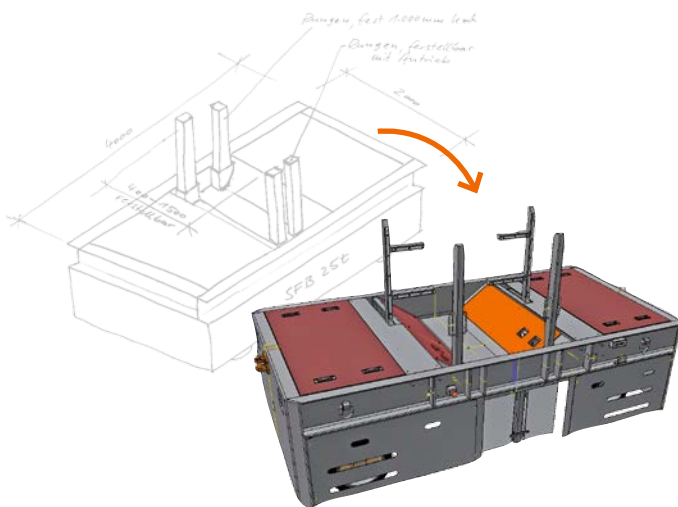
# Heavy-duty transport vehicles at a glance

---

Innovative ideas and powerful solutions are in demand, yet they must always remain cost-effective. We consider cost-effectiveness to be inextricably linked with quality and service. A custom solution that has been tailored to your specific requirements will offer you maximum benefit, high availability and a long service life.

## BRINGING IDEAS TO LIFE

When customers come to us with their operational challenges, HUBTEX will devise an array of ideas that are developed across multiple stages with the clients input. The concept is refined into a final version, which subsequently becomes a working solution for the business. At all times, you will benefit from the unrivalled expertise gained during our 35 years in the field of special machine manufacture.



---

We develop tailored solution  
concepts for our customers

## TRUCK OVERVIEW

- Platform transporters p. 5
- Rail-mounted trucks p. 8
- Die handlers p. 10
- Automated guided vehicle systems p. 13
- Electric tractor head p. 14



---

A cavity on the platform enables safe transport of coils while also accommodating long loads.



# PLATFORM TRANSPORTERS

# SFB – Platform transporter

The platform transporter (SFB series) is a self-driving vehicle with a large load surface. These trucks are used for the internal transport of all manner of loads, be it sheet metal, steel girders, Coils, machine parts, castings and tools.

- *Operation via cab, driver platform, remote control or automation*
- *Single-axle, all-wheel and multi-directional steering*  
*For optimum manoeuvrability*
- *Solid rubber, pneumatic or Vulkollan tyres*  
*For driving on asphalt, paving or industrial floors*
- *Indoor and outdoor use*  
*combined or for outdoor operation only*
- *Battery-powered, maintenance-free AC-drive technology*
- *Load capacities of up to 100.0 t*
- *Robust construction*



Type	SFB
Load capacity (t)	up to 100.0
Height (mm)	from 457
Drive (V)	24 / 80 / 230 / 400 (electric AC)
Tyres	EL / PU / pneumatic / rail wheel
Operation	Cab / remote control / driver platform



Transporting tools is a typical application for our SFBs.

### ➤ MOVABLE PLATFORM

Movable platform enables transport of very long items such as load racks and moulded side parts.



Platform truck for transporting 65.0 tons of heavy tools, even on asphalt.



## ➤ DOUBLE LOAD CAPACITY IN COUPLED MODE

Two or more vehicles can be combined to transport particularly large loads. A single load is thus distributed across multiple transporters. For example, the vehicles may travel under an aircraft fuselage and are then coupled wirelessly so as to remain in continuous communication during transport. This creates a strong and stable transport system offering double the standard load capacity.



Integrated lifting device

## ➤ LOW PLATFORM HEIGHTS

The HUBTEX SL-AGV impresses with its 35 ton capacity combined with a height of just 457 mm. For transport purposes, the operator simply places the platform in front of the relevant load. The exact positioning is then performed with the aid of an assistance system, semi-automatically

and with millimetre precision: The vehicle determines its position by means of sensors before calculating the ideal steering geometry for the specific transport task on this basis. The subsequent positioning then takes place fully automatically and with utmost precision. The load is raised via the integrated 203 mm lift.



# GW – Rail-mounted truck

The rail-mounted trucks (GW) from HUBTEX are configured to suit the individual needs and requests of our customers. Tried-and-tested components are used in the drives and control technology. The rail-mounted truck is designed to satisfy internal transport requirements.



- Robust construction
- Load-specific transport options

- Individual frame design depending on specific application
- Battery or mains operation
- Maintenance-free AC-drive technology
- Durable crane running wheels
- Wired or radio remote control

Type	GW
Load capacity (t)	up to 350.0
Drive (V)	24 / 80 / 230 / 400 (electric AC)
Tyres	EL / PU / pneumatic / rail wheel
Operation	Cab / remote control / driver platform





## ➤ DRIVER'S CAB / PLATFORM

These vehicles can be operated via a sitting or standing cab as well as with a wired or radio remote control unit.

A wide range of modules are available, allowing this vehicle to be adapted to all customer requirements – no matter how specific.

- *Height-adjustable steering wheel*
- *10" LCD display in cab for reversing camera*
- *Air-sprung driver's seat*
- *Ergonomic entry into cab*
- *Two electrically adjustable exterior mirrors*
- *Four-sided glazing (laminated safety glass)*
- *Wipers and windscreen washer system*



Example configuration

Example configuration



## ➤ RADIO AND WIRED REMOTE CONTROL

The radio remote control is equipped with joysticks for precise operation, buttons for the emergency stop and horn as well as other options.

Alternatively, customers can also opt for a wired remote control, which can be connected to the vehicle via multiple connection points.

### SAFETY

- *Emergency stop buttons on all sides*
- *Impact protection strips on front sides*
- *Distance sensors/assistance systems*
- *Optional personal protection system using laser scanners*



Choice of wired or radio remote control

---

# Die handlers

---

Safety and speed are paramount when it comes to the crucial features of modern die handlers.

The HUBTEX die handlers with load capacities of up to 65 tons help to reduce changeover times of pressing and stamping tools, thereby increasing production efficiency. The compact chassis enables very low entry heights under the dies.



- *Load capacities of up to 65.0 t*
- *Die table with lift heights of up to 3000 mm*
- *Extremely low table heights combined with high load capacities*
- *Die changes performed via a drive chain system for rapid tool replacement*



*Adaptable to different tool dimensions*

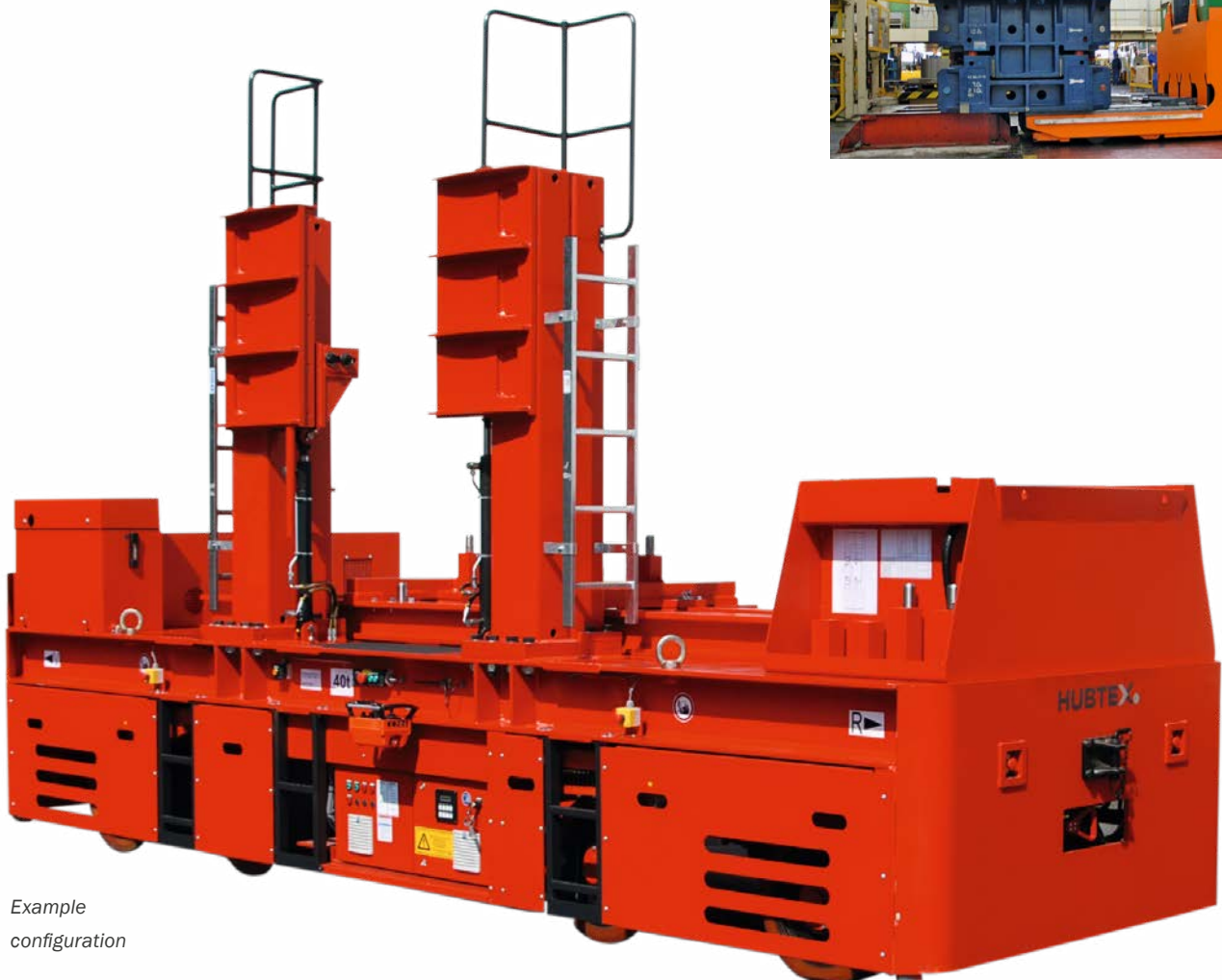


*Extremely low table heights*

*The vehicles have a large steering angle*

When creating the concept for a HUBTEX die handler, we generally start with the requirement for a mobile and flexible solution with high positioning accuracy and implementation of a safe docking process for different machines as well as safe and rapid die changes.

- *Positive-lock plate*  
*individually adaptable to tool*
- *Multi-directional steering*
- *Pedestrian operation*  
*via remote control*
- *Hydraulic clamping mechanism*  
*for securing the dies during transport*



Example configuration

---

*The design principle of this transporter is the swing axle. It is guided by a rocker to which the load is transferred from a lift cylinder. This ensures a variable ride height with optimum adaptation to uneven surfaces.*



---

# Automated guided vehicle systems

---

HUBTEX heavy-duty transport vehicles are ideally suited to automation. The use of an automated guided vehicle system reduces throughput times, saves costs and enhances safety.

- *Greater efficiency*
- *Optimisation of warehouse logistics*
- *Automatic load transfer*
- *Transport circuits with individual stops*
- *Ideal for hazardous areas*



## THE FOLLOWING GUIDANCE SYSTEMS ARE AVAILABLE:

- *Rail guidance*
- *Wire guidance*
- *Optical guidance*
- *Free-ranging magnetic navigation with transponders*
- *Laser navigation*
- *Indoor GPS navigation*



# EFCSH – Electric tractor head with hydraulic gooseneck

The main applications of the HUBTEX seated electric towing tractor with hydraulic gooseneck are material provision in production areas, transport of heavy, compact machine components and handling of cargo trailers – e.g. frequent, safe and reliable transport of coils in outdoor storage yards, for instance.



- > *Driver's seat position perpendicular to travel direction*
- > *Ergonomic layout of control elements*
- > *Maintenance-free AC drive motor*
- > *Battery-powered electric drive*
- > *Indoor and outdoor use*

- > *Three-wheel chassis with solid rubber tyres in compact design*
- > *System loads from 32 to 50 t*
- > *Hydraulic gooseneck*

Type	EFCSH
System loads (t)	up to 50.0
Battery (V)	80
Tyres	EL / PU



---

## HUBTEX remote maintenance

---

### ➤ THE REMOTE MAINTENANCE SYSTEM AT A GLANCE:

- *Automatic exchange of information between truck and Service department*
- *Data transmission of error codes, battery charge levels and operating hours*
- *Available with functions for parameter modification and software updates*
- *Maximum machine availability, minimised production downtimes and service deployments*

A new remote maintenance system is available for HUBTEX vehicles. Important truck data, such as error codes and battery charge levels, is transferred to the cloud environment of our system partner Telekom via an M2M gateway on the lift trucks.

In the case of faults, HUBTEX technicians can gain direct access to the vehicle data and provide rapid assistance.



Customers benefit from maximum machine availability and minimal production downtimes. The system can also be retrofitted to used vehicles.



---

## Rental or financing

---

### ➤ FINANCE SOLUTIONS

HUBTEX boasts one of the largest side loader fleets on the market. With 50 machines available for short- and long-term rental, we can provide the perfect solution for your individual application.

We are also happy to offer suitable financing for your new HUBTEX product. Our range of services encompasses everything from single vehicle leases to full-service packages, which also include replacement parts, maintenance and repair work.

## HUBTEX VEHICLES

---

ELECTRIC-MULTIDIRECTIONAL-SIDELOADERS › DIESEL-/GAS-FOUR-WAY-SIDELOADERS › MULTIDIRECTIONAL COUNTERBALANCE FORKLIFT › ORDER PICKING SYSTEMS › GLASSTRANSPORT SYSTEMS › HEAVY DUTY TRANSPORT VEHICLES › REACH TRUCKS › SPECIAL TRUCKS › SECOND-HAND-AND RENTAL EQUIPMENT

---

# HUBTEX.

WE CREATE THE UNIQUE

---

HUBTEX MASCHINENBAU GMBH & CO. KG · Industriepark West · Werner-von-Siemens-Str. 8 · 36041 Fulda, Germany  
Tel.: +49 661 8382-0 · Fax: +49 661 8382-120 · info@hubtex.com · www.hubtex.com